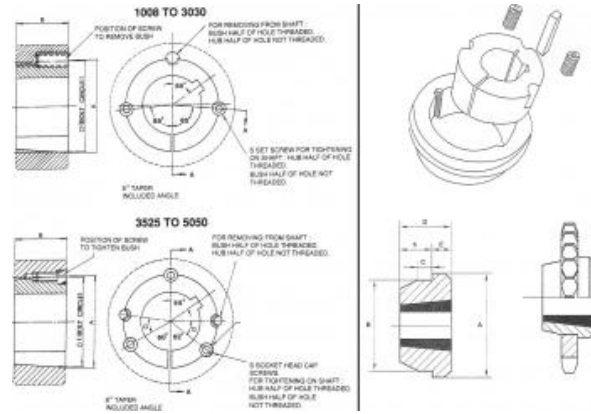
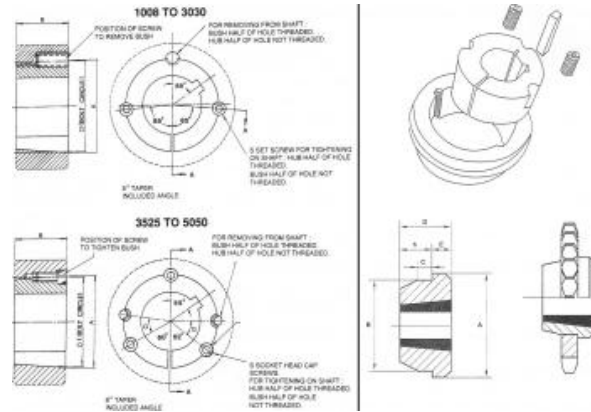


Taperlock Bushes are made of GG25 cast iron. The Weld on Hubs are produced in steel, drilled, tapped and taper bored to receive standard Taper Bushes. The extended flange provides a convenient means of welding hubs into fan rotors, steel pulleys, plate sprockets, impellers, agitators and many other devices, which must be firmly fastened entirely suitable for usage where severe operating conditions are met. Tightening the screws contracts the bore of the bush, thereby locking it to the shaft with the equivalent of a press fit. This type of construction eliminates mounting difficulties, it also prevents loosening and wearing happened to the hub during operation.



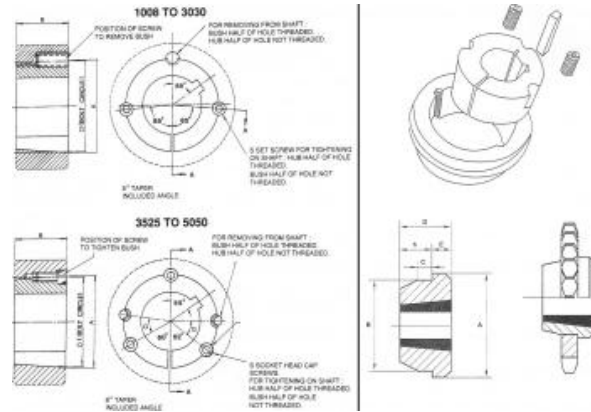
Part No.	Bush/Hub No.	Bore Ø	A	B	C	D	E	Set Screws	G
		mm	mm	mm	mm	mm	mm		Degrees
0101008009	1008	9	1.386	7/8"	-	1 21/64"	-	1/4"x1/2"	-
0101008010	1008	10	1.386	7/8"	-	1 21/64"	-	1/4"x1/2"	-
0101008011	1008	11	1.386	7/8"	-	1 21/64"	-	1/4"x1/2"	-
0101008012	1008	12	1.386	7/8"	-	1 21/64"	-	1/4"x1/2"	-
0101008014	1008	14	1.386	7/8"	-	1 21/64"	-	1/4"x1/2"	-
0101008015	1008	15	1.386	7/8"	-	1 21/64"	-	1/4"x1/2"	-
0101008016	1008	16	1.386	7/8"	-	1 21/64"	-	1/4"x1/2"	-
0101008017	1008	17	1.386	7/8"	-	1 21/64"	-	1/4"x1/2"	-
0101008018	1008	18	1.386	7/8"	-	1 21/64"	-	1/4"x1/2"	-
0101008019	1008	19	1.386	7/8"	-	1 21/64"	-	1/4"x1/2"	-
0101008020	1008	20	1.386	7/8"	-	1 21/64"	-	1/4"x1/2"	-
0101008022	1008	22	1.386	7/8"	-	1 21/64"	-	1/4"x1/2"	-
0101008024	1008	24	1.386	7/8"	-	1 21/64"	-	1/4"x1/2"	-
0101008025	1008	25	1.386	7/8"	-	1 21/64"	-	1/4"x1/2"	-
0101009001	1008	3/8"	1.386	7/8"	-	1 21/64"	-	1/4"x1/2"	-
0101009002	1008	1/2"	1.386	7/8"	-	1 21/64"	-	1/4"x1/2"	-
0101009003	1008	5/8"	1.386	7/8"	-	1 21/64"	-	1/4"x1/2"	-
0101009004	1008	3/4"	1.386	7/8"	-	1 21/64"	-	1/4"x1/2"	-
0101009005	1008	7/8"	1.386	7/8"	-	1 21/64"	-	1/4"x1/2"	-
0101009006	1008	1"	1.386	7/8"	-	1 21/64"	-	1/4"x1/2"	-
0101108009	1108	9	1.511	7/8"	-	1 29/64"	-	1/4"x1/2"	-
0101108010	1108	10	1.511	7/8"	-	1 29/64"	-	1/4"x1/2"	-
0101108011	1108	11	1.511	7/8"	-	1 29/64"	-	1/4"x1/2"	-
0101108012	1108	12	1.511	7/8"	-	1 29/64"	-	1/4"x1/2"	-
0101108014	1108	14	1.511	7/8"	-	1 29/64"	-	1/4"x1/2"	-
0101108015	1108	15	1.511	7/8"	-	1 29/64"	-	1/4"x1/2"	-
0101108016	1108	16	1.511	7/8"	-	1 29/64"	-	1/4"x1/2"	-
0101108017	1108	17	1.511	7/8"	-	1 29/64"	-	1/4"x1/2"	-
0101108018	1108	18	1.511	7/8"	-	1 29/64"	-	1/4"x1/2"	-
0101108019	1108	19	1.511	7/8"	-	1 29/64"	-	1/4"x1/2"	-
0101108020	1108	20	1.511	7/8"	-	1 29/64"	-	1/4"x1/2"	-
0101108022	1108	22	1.511	7/8"	-	1 29/64"	-	1/4"x1/2"	-
0101108024	1108	24	1.511	7/8"	-	1 29/64"	-	1/4"x1/2"	-
0101108025	1108	25	1.511	7/8"	-	1 29/64"	-	1/4"x1/2"	-
0101108028	1108	28	1.511	7/8"	-	1 29/64"	-	1/4"x1/2"	-
0101109001	1108	3/8"	1.511	7/8"	-	1 29/64"	-	1/4"x1/2"	-
0101109002	1108	1/2"	1.511	7/8"	-	1 29/64"	-	1/4"x1/2"	-
0101109003	1108	5/8"	1.511	7/8"	-	1 29/64"	-	1/4"x1/2"	-
0101109004	1108	3/4"	1.511	7/8"	-	1 29/64"	-	1/4"x1/2"	-
0101109005	1108	7/8"	1.511	7/8"	-	1 29/64"	-	1/4"x1/2"	-
0101109006	1108	1"	1.511	7/8"	-	1 29/64"	-	1/4"x1/2"	-
0101109007	1108	1 1/8"	1.511	7/8"	-	1 29/64"	-	1/4"x1/2"	-
0101210011	1210	11	1 7/8"	1"	-	1 3/4"	-	3/8"x5/8"	-
0101210012	1210	12	1 7/8"	1"	-	1 3/4"	-	3/8"x5/8"	-
0101210014	1210	14	1 7/8"	1"	-	1 3/4"	-	3/8"x5/8"	-
0101210015	1210	15	1 7/8"	1"	-	1 3/4"	-	3/8"x5/8"	-

Taperlock Bushes are made of GG25 cast iron. The Weld on Hubs are produced in steel, drilled, tapped and taper bored to receive standard Taper Bushes. The extended flange provides a convenient means of welding hubs into fan rotors, steel pulleys, plate sprockets, impellers, agitators and many other devices, which must be firmly fastened entirely suitable for usage where severe operating conditions are met. Tightening the screws contracts the bore of the bush, thereby locking it to the shaft with the equivalent of a press fit. This type of construction eliminates mounting difficulties, it also prevents loosening and wearing happened to the hub during operation.



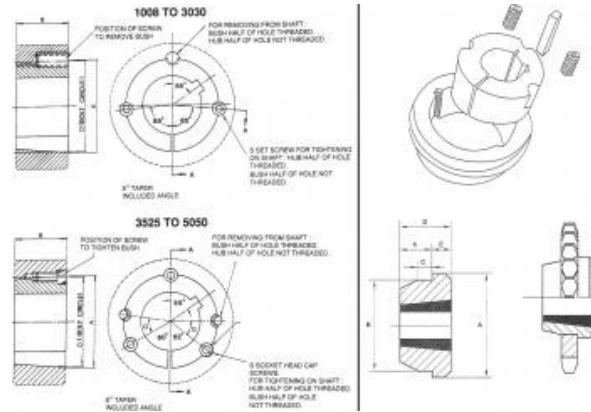
Part No.	Bush/Hub No.	Bore Ø		A	B	C	D	E	Set Screws	G
		mm	mm							
0101210019	1210	19	1 7/8"	1"	-	1 3/4"	-	3/8"x5/8"	-	
0101210019	1210	19	1 7/8"	1"	-	1 3/4"	-	3/8"x5/8"	-	
0101210020	1210	20	1 7/8"	1"	-	1 3/4"	-	3/8"x5/8"	-	
0101210022	1210	22	1 7/8"	1"	-	1 3/4"	-	3/8"x5/8"	-	
0101210024	1210	24	1 7/8"	1"	-	1 3/4"	-	3/8"x5/8"	-	
0101210025	1210	25	1 7/8"	1"	-	1 3/4"	-	3/8"x5/8"	-	
0101210028	1210	28	1 7/8"	1"	-	1 3/4"	-	3/8"x5/8"	-	
0101210030	1210	30	1 7/8"	1"	-	1 3/4"	-	3/8"x5/8"	-	
0101210032	1210	32	1 7/8"	1"	-	1 3/4"	-	3/8"x5/8"	-	
0101211001	1210	1/2"	1 7/8"	1"	-	1 3/4"	-	3/8"x5/8"	-	
0101211002	1210	5/8"	1 7/8"	1"	-	1 3/4"	-	3/8"x5/8"	-	
0101211003	1210	3/4"	1 7/8"	1"	-	1 3/4"	-	3/8"x5/8"	-	
0101211004	1210	7/8"	1 7/8"	1"	-	1 3/4"	-	3/8"x5/8"	-	
0101211005	1210	1"	1 7/8"	1"	-	1 3/4"	-	3/8"x5/8"	-	
0101211006	1210	1 1/8"	1 7/8"	1"	-	1 3/4"	-	3/8"x5/8"	-	
0101211007	1210	1 1/4"	1 7/8"	1"	-	1 3/4"	-	3/8"x5/8"	-	
0101215020	1215	20	1 7/8"	1 1/2"	-	1 3/4"	-	3/8"x5/8"	-	
0101215024	1215	24	1 7/8"	1 1/2"	-	1 3/4"	-	3/8"x5/8"	-	
0101215025										
0101215030	1215	30	1 7/8"	1 1/2"	-	1 3/4"	-	3/8"x5/8"	-	
0101610012	1610	12	2 1/4"	1"	-	2 1/8"	-	3/8"x5/8"	-	
0101610014	1610	14	2 1/4"	1"	-	2 1/8"	-	3/8"x5/8"	-	
0101610015	1610	15	2 1/4"	1"	-	2 1/8"	-	3/8"x5/8"	-	
0101610016	1610	16	2 1/4"	1"	-	2 1/8"	-	3/8"x5/8"	-	
0101610017	1610	17	2 1/4"	1"	-	2 1/8"	-	3/8"x5/8"	-	
0101610018	1610	18	2 1/4"	1"	-	2 1/8"	-	3/8"x5/8"	-	
0101610019	1610	19	2 1/4"	1"	-	2 1/8"	-	3/8"x5/8"	-	
0101610020	1610	20	2 1/4"	1"	-	2 1/8"	-	3/8"x5/8"	-	
0101610022	1610	22	2 1/4"	1"	-	2 1/8"	-	3/8"x5/8"	-	
0101610024	1610	24	2 1/4"	1"	-	2 1/8"	-	3/8"x5/8"	-	
0101610025	1610	25	2 1/4"	1"	-	2 1/8"	-	3/8"x5/8"	-	
0101610028	1610	28	2 1/4"	1"	-	2 1/8"	-	3/8"x5/8"	-	
0101610030	1610	30	2 1/4"	1"	-	2 1/8"	-	3/8"x5/8"	-	
0101610032	1610	32	2 1/4"	1"	-	2 1/8"	-	3/8"x5/8"	-	
0101610035	1610	35	2 1/4"	1"	-	2 1/8"	-	3/8"x5/8"	-	
0101610038	1610	38	2 1/4"	1"	-	2 1/8"	-	3/8"x5/8"	-	
0101610040	1610	40	2 1/4"	1"	-	2 1/8"	-	3/8"x5/8"	-	
0101610042	1610	42	2 1/4"	1"	-	2 1/8"	-	3/8"x5/8"	-	
0101611001	1610	1/2"	2 1/4"	1"	-	2 1/8"	-	3/8"x5/8"	-	
0101611002	1610	5/8"	2 1/4"	1"	-	2 1/8"	-	3/8"x5/8"	-	
0101611003	1610	3/4"	2 1/4"	1"	-	2 1/8"	-	3/8"x5/8"	-	
0101611004	1610	7/8"	2 1/4"	1"	-	2 1/8"	-	3/8"x5/8"	-	
0101611005	1610	1"	2 1/4"	1"	-	2 1/8"	-	3/8"x5/8"	-	
0101611006	1610	1 1/8"	2 1/4"	1"	-	2 1/8"	-	3/8"x5/8"	-	
0101611007	1610	1 1/4"	2 1/4"	1"	-	2 1/8"	-	3/8"x5/8"	-	
0101611008	1610	1 3/8"	2 1/4"	1"	-	2 1/8"	-	3/8"x5/8"	-	

Taperlock Bushes are made of GG25 cast iron. The Weld on Hubs are produced in steel, drilled, tapped and taper bored to receive standard Taper Bushes. The extended flange provides a convenient means of welding hubs into fan rotors, steel pulleys, plate sprockets, impellers, agitators and many other devices, which must be firmly fastened entirely suitable for usage where severe operating conditions are met. Tightening the screws contracts the bore of the bush, thereby locking it to the shaft with the equivalent of a press fit. This type of construction eliminates mounting difficulties, it also prevents loosening and wearing happened to the hub during operation.



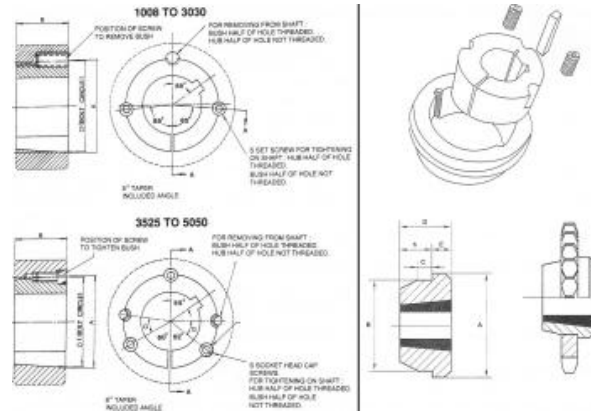
Part No.	Bush/Hub No.	Bore Ø	A	B	C	D	E	Set Screws	G	
		mm	mm	mm	mm	mm	mm			Degrees
0101615019		1615	19	2 1/4"	1 1/2"	-	2 1/8"	-	3/8"x5/8"	-
0101615019		1615	19	2 1/4"	1 1/2"	-	2 1/8"	-	3/8"x5/8"	-
0101615020		1615	20	2 1/4"	1 1/2"	-	2 1/8"	-	3/8"x5/8"	-
0101615022		1615	22	2 1/4"	1 1/2"	-	2 1/8"	-	3/8"x5/8"	-
0101615024		1615	24	2 1/4"	1 1/2"	-	2 1/8"	-	3/8"x5/8"	-
0101615025		1615	25	2 1/4"	1 1/2"	-	2 1/8"	-	3/8"x5/8"	-
0101615028		1615	28	2 1/4"	1 1/2"	-	2 1/8"	-	3/8"x5/8"	-
0101615030		1615	30	2 1/4"	1 1/2"	-	2 1/8"	-	3/8"x5/8"	-
0101615032		1615	32	2 1/4"	1 1/2"	-	2 1/8"	-	3/8"x5/8"	-
0101615035		1615	35	2 1/4"	1 1/2"	-	2 1/8"	-	3/8"x5/8"	-
0101615038		1615	39	2 1/4"	1 1/2"	-	2 1/8"	-	3/8"x5/8"	-
0101615040		1615	40	2 1/4"	1 1/2"	-	2 1/8"	-	3/8"x5/8"	-
0101615042		1615	42	2 1/4"	1 1/2"	-	2 1/8"	-	3/8"x5/8"	-
0102012014		2012	14	2 3/4"	1 1/4"	-	2 5/8"	-	7/16x7/8"	-
0102012015		2012	15	2 3/4"	1 1/4"	-	2 5/8"	-	7/16x7/8"	-
0102012016		2012	16	2 3/4"	1 1/4"	-	2 5/8"	-	7/16x7/8"	-
0102012017		2012	17	2 3/4"	1 1/4"	-	2 5/8"	-	7/16x7/8"	-
0102012018		2012	18	2 3/4"	1 1/4"	-	2 5/8"	-	7/16x7/8"	-
0102012019		2012	19	2 3/4"	1 1/4"	-	2 5/8"	-	7/16x7/8"	-
0102012020		2012	20	2 3/4"	1 1/4"	-	2 5/8"	-	7/16x7/8"	-
0102012022		2012	22	2 3/4"	1 1/4"	-	2 5/8"	-	7/16x7/8"	-
0102012024		2012	24	2 3/4"	1 1/4"	-	2 5/8"	-	7/16x7/8"	-
0102012025		2012	25	2 3/4"	1 1/4"	-	2 5/8"	-	7/16x7/8"	-
0102012028		2012	28	2 3/4"	1 1/4"	-	2 5/8"	-	7/16x7/8"	-
0102012030		2012	30	2 3/4"	1 1/4"	-	2 5/8"	-	7/16x7/8"	-
0102012032		2012	32	2 3/4"	1 1/4"	-	2 5/8"	-	7/16x7/8"	-
0102012035		2012	35	2 3/4"	1 1/4"	-	2 5/8"	-	7/16x7/8"	-
0102012038		2012	38	2 3/4"	1 1/4"	-	2 5/8"	-	7/16x7/8"	-
0102012040		2012	40	2 3/4"	1 1/4"	-	2 5/8"	-	7/16x7/8"	-
0102012042		2012	42	2 3/4"	1 1/4"	-	2 5/8"	-	7/16x7/8"	-
0102012045		2012	45	2 3/4"	1 1/4"	-	2 5/8"	-	7/16x7/8"	-
0102012048		2012	48	2 3/4"	1 1/4"	-	2 5/8"	-	7/16x7/8"	-
0102012050		2012	50	2 3/4"	1 1/4"	-	2 5/8"	-	7/16x7/8"	-
0102013001		2012	3/4"	2 3/4"	1 1/4"	-	2 5/8"	-	7/16x7/8"	-
0102013002		2012	7/8"	2 3/4"	1 1/4"	-	2 5/8"	-	7/16x7/8"	-
0102013003		2012	1"	2 3/4"	1 1/4"	-	2 5/8"	-	7/16x7/8"	-
0102013004		2012	1 1/8"	2 3/4"	1 1/4"	-	2 5/8"	-	7/16x7/8"	-
0102013005		2012	1 1/4"	2 3/4"	1 1/4"	-	2 5/8"	-	7/16x7/8"	-
0102013006		2012	1 3/8"	2 3/4"	1 1/4"	-	2 5/8"	-	7/16x7/8"	-
0102013007		2012	1 1/2"	2 3/4"	1 1/4"	-	2 5/8"	-	7/16x7/8"	-
0102013008		2012	1 5/8"	2 3/4"	1 1/4"	-	2 5/8"	-	7/16x7/8"	-
0102013009		2012	1 3/4"	2 3/4"	1 1/4"	-	2 5/8"	-	7/16x7/8"	-
0102013010		2012	1 7/8"	2 3/4"	1 1/4"	-	2 5/8"	-	7/16x7/8"	-
0102013011		2012	2"	2 3/4"	1 1/4"	-	2 5/8"	-	7/16x7/8"	-
0102017040		2017	40							
0102017042		2017	42							

Taperlock Bushes are made of GG25 cast iron. The Weld on Hubs are produced in steel, drilled, tapped and taper bored to receive standard Taper Bushes. The extended flange provides a convenient means of welding hubs into fan rotors, steel pulleys, plate sprockets, impellers, agitators and many other devices, which must be firmly fastened entirely suitable for usage where severe operating conditions are met. Tightening the screws contracts the bore of the bush, thereby locking it to the shaft with the equivalent of a press fit. This type of construction eliminates mounting difficulties, it also prevents loosening and wearing happened to the hub during operation.



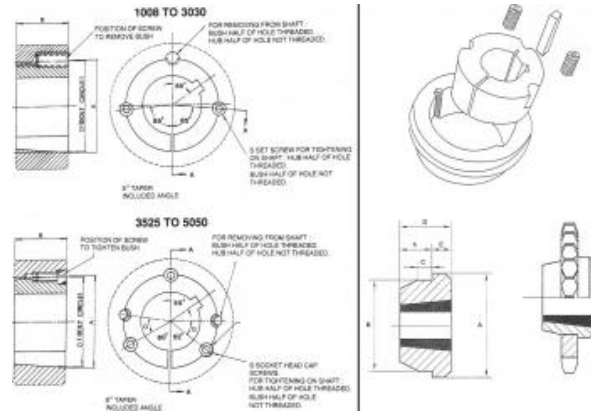
Part No.	Bush/Hub No.	Bore Ø	A	B	C	D	E	Set Screws	G	
		mm	mm	mm	mm	mm	mm			Degrees
0102517019		2517	19	3 3/8"	1 3/4"	-	3 1/4"	-	1/2"x1"	-
0102517019		2517	19	3 3/8"	1 3/4"	-	3 1/4"	-	1/2"x1"	-
0102517020		2517	20	3 3/8"	1 3/4"	-	3 1/4"	-	1/2"x1"	-
0102517022		2517	22	3 3/8"	1 3/4"	-	3 1/4"	-	1/2"x1"	-
0102517024		2517	24	3 3/8"	1 3/4"	-	3 1/4"	-	1/2"x1"	-
0102517025		2517	25	3 3/8"	1 3/4"	-	3 1/4"	-	1/2"x1"	-
0102517028		2517	28	3 3/8"	1 3/4"	-	3 1/4"	-	1/2"x1"	-
0102517030		2517	30	3 3/8"	1 3/4"	-	3 1/4"	-	1/2"x1"	-
0102517032		2517	32	3 3/8"	1 3/4"	-	3 1/4"	-	1/2"x1"	-
0102517035		2517	35	3 3/8"	1 3/4"	-	3 1/4"	-	1/2"x1"	-
0102517038		2517	38	3 3/8"	1 3/4"	-	3 1/4"	-	1/2"x1"	-
0102517040		2517	40	3 3/8"	1 3/4"	-	3 1/4"	-	1/2"x1"	-
0102517042		2517	42	3 3/8"	1 3/4"	-	3 1/4"	-	1/2"x1"	-
0102517045		2517	45	3 3/8"	1 3/4"	-	3 1/4"	-	1/2"x1"	-
0102517048		2517	48	3 3/8"	1 3/4"	-	3 1/4"	-	1/2"x1"	-
0102517050		2517	50	3 3/8"	1 3/4"	-	3 1/4"	-	1/2"x1"	-
0102517055		2517	55	3 3/8"	1 3/4"	-	3 1/4"	-	1/2"x1"	-
0102517060		2517	60	3 3/8"	1 3/4"	-	3 1/4"	-	1/2"x1"	-
0102517065		2517	65	3 3/8"	1 3/4"	-	3 1/4"	-	1/2"x1"	-
0102518001		2517	3/4"	3 3/8"	1 3/4"	-	3 1/4"	-	1/2"x1"	-
0102518002		2517	7/8"	3 3/8"	1 3/4"	-	3 1/4"	-	1/2"x1"	-
0102518003		2517	1"	3 3/8"	1 3/4"	-	3 1/4"	-	1/2"x1"	-
0102518004		2517	1 1/8"	3 3/8"	1 3/4"	-	3 1/4"	-	1/2"x1"	-
0102518005		2517	1 1/4"	3 3/8"	1 3/4"	-	3 1/4"	-	1/2"x1"	-
0102518006		2517	1 3/8"	3 3/8"	1 3/4"	-	3 1/4"	-	1/2"x1"	-
0102518007		2517	1 1/2"	3 3/8"	1 3/4"	-	3 1/4"	-	1/2"x1"	-
0102518008		2517	1 5/8"	3 3/8"	1 3/4"	-	3 1/4"	-	1/2"x1"	-
0102518009		2517	1 3/4"	3 3/8"	1 3/4"	-	3 1/4"	-	1/2"x1"	-
0102518010		2517	1 7/8"	3 3/8"	1 3/4"	-	3 1/4"	-	1/2"x1"	-
01025180105										
0102518011		2517	2 1/8"	3 3/8"	1 3/4"	-	3 1/4"	-	1/2"x1"	-
0102518012		2517	2 1/4"	3 3/8"	1 3/4"	-	3 1/4"	-	1/2"x1"	-
0102518013		2517	2 3/8"	3 3/8"	1 3/4"	-	3 1/4"	-	1/2"x1"	-
0102518014		2517	2 1/2"	3 3/8"	1 3/4"	-	3 1/4"	-	1/2"x1"	-
0102525030										
0102525040		2525	40							
0102525050		2525	50							
0102525055		2525	55							
0103020025		3020	25	4 1/4"	2"	-	4"	-	5/8"x1 1/4"	-
0103020028		3020	28	4 1/4"	2"	-	4"	-	5/8"x1 1/4"	-
0103020030		3020	30	4 1/4"	2"	-	4"	-	5/8"x1 1/4"	-
0103020032		3020	32	4 1/4"	2"	-	4"	-	5/8"x1 1/4"	-
0103020035		3020	35	4 1/4"	2"	-	4"	-	5/8"x1 1/4"	-
0103020038		3020	38	4 1/4"	2"	-	4"	-	5/8"x1 1/4"	-
0103020040		3020	40	4 1/4"	2"	-	4"	-	5/8"x1 1/4"	-
0103020042		3020	42	4 1/4"	2"	-	4"	-	5/8"x1 1/4"	-

Taperlock Bushes are made of GG25 cast iron. The Weld on Hubs are produced in steel, drilled, tapped and taper bored to receive standard Taper Bushes. The extended flange provides a convenient means of welding hubs into fan rotors, steel pulleys, plate sprockets, impellers, agitators and many other devices, which must be firmly fastened entirely suitable for usage where severe operating conditions are met. Tightening the screws contracts the bore of the bush, thereby locking it to the shaft with the equivalent of a press fit. This type of construction eliminates mounting difficulties, it also prevents loosening and wearing happened to the hub during operation.



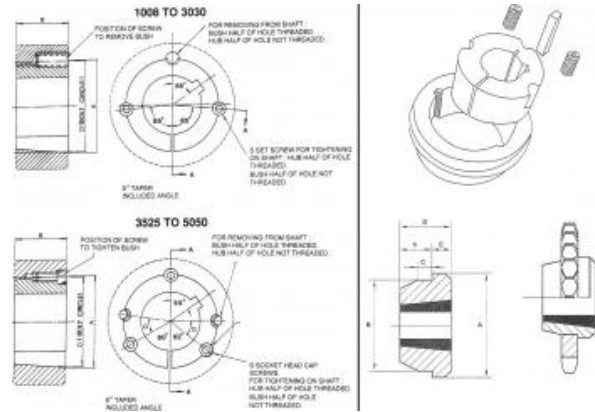
Part No.	Bush/Hub No.	Bore Ø	A	B	C	D	E	Set Screws	G
		mm	mm	mm	mm	mm	mm		
0103020050	3020	50	4 1/4"	2"	-	4"	-	5/8"x1 1/4"	-
0103020050	3020	50	4 1/4"	2"	-	4"	-	5/8"x1 1/4"	-
0103020055	3020	55	4 1/4"	2"	-	4"	-	5/8"x1 1/4"	-
0103020060	3020	60	4 1/4"	2"	-	4"	-	5/8"x1 1/4"	-
0103020065	3020	65	4 1/4"	2"	-	4"	-	5/8"x1 1/4"	-
0103020070	3020	70	4 1/4"	2"	-	4"	-	5/8"x1 1/4"	-
0103020075	3020	75	4 1/4"	2"	-	4"	-	5/8"x1 1/4"	-
0103020080	3020	80	4 1/4"	2"	-	4"	-	5/8"x1 1/4"	-
0103021001	3020	1 1/4"	4 1/4"	2"	-	4"	-	5/8"x1 1/4"	-
0103021002	3020	1 3/8"	4 1/4"	2"	-	4"	-	5/8"x1 1/4"	-
0103021003	3020	1 1/2"	4 1/4"	2"	-	4"	-	5/8"x1 1/4"	-
0103021004	3020	1 5/8"	4 1/4"	2"	-	4"	-	5/8"x1 1/4"	-
0103021005	3020	1 3/4"	4 1/4"	2"	-	4"	-	5/8"x1 1/4"	-
0103021006	3020	1 7/8"	4 1/4"	2"	-	4"	-	5/8"x1 1/4"	-
0103021007	3020	2"	4 1/4"	2"	-	4"	-	5/8"x1 1/4"	-
0103021008	3020	2 1/8"	4 1/4"	2"	-	4"	-	5/8"x1 1/4"	-
0103021009	3020	2 1/4"	4 1/4"	2"	-	4"	-	5/8"x1 1/4"	-
0103021010	3020	2 3/8"	4 1/4"	2"	-	4"	-	5/8"x1 1/4"	-
0103021011	3020	2 1/2"	4 1/4"	2"	-	4"	-	5/8"x1 1/4"	-
0103030032	3030	32	4 1/4"	3"	-	4"	-	5/8"x1 1/4"	-
0103030040	3030	40	4 1/4"	3"	-	4"	-	5/8"x1 1/4"	-
0103030042	3030	42	4 1/4"	3"	-	4"	-	5/8"x1 1/4"	-
0103030045	3030	45	4 1/4"	3"	-	4"	-	5/8"x1 1/4"	-
0103030048	3030	48	4 1/4"	3"	-	4"	-	5/8"x1 1/4"	-
0103030050	3030	50	4 1/4"	3"	-	4"	-	5/8"x1 1/4"	-
0103030055	3030	55	4 1/4"	3"	-	4"	-	5/8"x1 1/4"	-
0103030060	3030	60	4 1/4"	3"	-	4"	-	5/8"x1 1/4"	-
0103030065	3030	65	4 1/4"	3"	-	4"	-	5/8"x1 1/4"	-
0103030070	3030	70	4 1/4"	3"	-	4"	-	5/8"x1 1/4"	-
0103030075	3030	75	4 1/4"	3"	-	4"	-	5/8"x1 1/4"	-
0103031001	3030	1 1/4"	4 1/4"	3"	-	4"	-	5/8"x1 1/4"	-
0103031002	3030	1 3/8"	4 1/4"	3"	-	4"	-	5/8"x1 1/4"	-
0103031003	3030	1 1/2"	4 1/4"	3"	-	4"	-	5/8"x1 1/4"	-
0103031004	3030	1 5/8"	4 1/4"	3"	-	4"	-	5/8"x1 1/4"	-
0103031005	3030	1 3/4"	4 1/4"	3"	-	4"	-	5/8"x1 1/4"	-
0103031006	3030	1 7/8"	4 1/4"	3"	-	4"	-	5/8"x1 1/4"	-
0103031007	3030	2"	4 1/4"	3"	-	4"	-	5/8"x1 1/4"	-
0103031008	3030	2 1/8"	4 1/4"	3"	-	4"	-	5/8"x1 1/4"	-
0103031009	3030	2 1/4"	4 1/4"	3"	-	4"	-	5/8"x1 1/4"	-
0103031010	3030	2 3/8"	4 1/4"	3"	-	4"	-	5/8"x1 1/4"	-
0103031011	3030	2 1/2"	4 1/4"	3"	-	4"	-	5/8"x1 1/4"	-
0103525028	3525	28	127	64.9	-	-	-	1/2"x1 1/2"	40
0103525030	3525	30	127	64.9	-	-	-	1/2"x1 1/2"	40
0103525032	3525	32	127	64.9	-	-	-	1/2"x1 1/2"	40
0103525035	3525	35	127	64.9	-	-	-	1/2"x1 1/2"	40
0103525038	3525	38	127	64.9	-	-	-	1/2"x1 1/2"	40

Taperlock Bushes are made of GG25 cast iron. The Weld on Hubs are produced in steel, drilled, tapped and taper bored to receive standard Taper Bushes. The extended flange provides a convenient means of welding hubs into fan rotors, steel pulleys, plate sprockets, impellers, agitators and many other devices, which must be firmly fastened entirely suitable for usage where severe operating conditions are met. Tightening the screws contracts the bore of the bush, thereby locking it to the shaft with the equivalent of a press fit. This type of construction eliminates mounting difficulties, it also prevents loosening and wearing happened to the hub during operation.



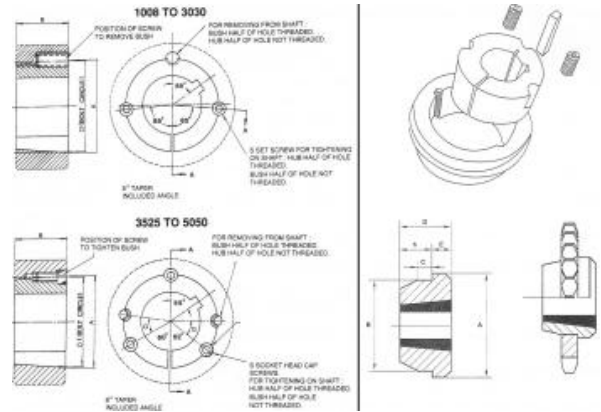
Part No.	Bush/Hub No.	Bore Ø	A	B	C	D	E	Set Screws	G
		mm							
0103525045		3525	45	127	64.9	-	-	1/2"x1 1/2"	40
0103525045		3525	45	127	64.9	-	-	1/2"x1 1/2"	40
0103525048		3525	48	127	64.9	-	-	1/2"x1 1/2"	40
0103525050		3525	50	127	64.9	-	-	1/2"x1 1/2"	40
0103525055		3525	55	127	64.9	-	-	1/2"x1 1/2"	40
0103525060		3525	60	127	64.9	-	-	1/2"x1 1/2"	40
0103525065		3525	65	127	64.9	-	-	1/2"x1 1/2"	40
0103525070		3525	70	127	64.9	-	-	1/2"x1 1/2"	40
0103525075		3525	75	127	64.9	-	-	1/2"x1 1/2"	40
0103525080		3525	80	127	64.9	-	-	1/2"x1 1/2"	40
0103525085		3525	85	127	64.9	-	-	1/2"x1 1/2"	40
0103525090		3525	90	127	64.9	-	-	1/2"x1 1/2"	40
0103525095		3525	95	127	64.9	-	-	1/2"x1 1/2"	40
0103525100		3525	100	127	64.9	-	-	1/2"x1 1/2"	40
0103535028		3535	28	5"	3 1/2"	-	4.83"	1/2"x1 1/2"	40
0103535030		3535	30	5"	3 1/2"	-	4.83"	1/2"x1 1/2"	40
0103535032		3535	32	5"	3 1/2"	-	4.83"	1/2"x1 1/2"	40
0103535035		3535	35	5"	3 1/2"	-	4.83"	1/2"x1 1/2"	40
0103535038		3535	38	5"	3 1/2"	-	4.83"	1/2"x1 1/2"	40
0103535040		3535	40	5"	3 1/2"	-	4.83"	1/2"x1 1/2"	40
0103535042		3535	42	5"	3 1/2"	-	4.83"	1/2"x1 1/2"	40
0103535045		3535	45	5"	3 1/2"	-	4.83"	1/2"x1 1/2"	40
0103535048		3535	48	5"	3 1/2"	-	4.83"	1/2"x1 1/2"	40
0103535050		3535	50	5"	3 1/2"	-	4.83"	1/2"x1 1/2"	40
0103535055		3535	55	5"	3 1/2"	-	4.83"	1/2"x1 1/2"	40
0103535060		3535	60	5"	3 1/2"	-	4.83"	1/2"x1 1/2"	40
0103535065		3535	65	5"	3 1/2"	-	4.83"	1/2"x1 1/2"	40
0103535070		3535	70	5"	3 1/2"	-	4.83"	1/2"x1 1/2"	40
0103535075		3535	75	5"	3 1/2"	-	4.83"	1/2"x1 1/2"	40
0103535080		3535	80	5"	3 1/2"	-	4.83"	1/2"x1 1/2"	40
0103535085		3535	85	5"	3 1/2"	-	4.83"	1/2"x1 1/2"	40
0103535090		3535	90	5"	3 1/2"	-	4.83"	1/2"x1 1/2"	40
0103535095		3535	95	5"	3 1/2"	-	4.83"	1/2"x1 1/2"	40
0103536001		3535	1 1/2"	5"	3 1/2"	-	4.83"	1/2"x1 1/2"	40
0103536002		3535	1 3/4"	5"	3 1/2"	-	4.83"	1/2"x1 1/2"	40
01035360021		3535	1 7/8"	5"	3 1/2"	-	4.83"	1/2"x1 1/2"	40
0103536003		3535	2"	5"	3 1/2"	-	4.83"	1/2"x1 1/2"	40
0103536004		3535	2 1/4"	5"	3 1/2"	-	4.83"	1/2"x1 1/2"	40
01035360041		3535	2 3/8"	5"	3 1/2"	-	4.83"	1/2"x1 1/2"	40
0103536005		3535	2 1/2"	5"	3 1/2"	-	4.83"	1/2"x1 1/2"	40
0103536006		3535	2 3/4"	5"	3 1/2"	-	4.83"	1/2"x1 1/2"	40
01035360061		3535	2 7/8"	5"	3 1/2"	-	4.83"	1/2"x1 1/2"	40
0103536007		3535	3"	5"	3 1/2"	-	4.83"	1/2"x1 1/2"	40
0103536008									
0103536009		3535	3 3/8"	5"	3 1/2"	-	4.83"	1/2"x1 1/2"	40
0104030040		4030	40	-	-	-	-	-	-

Taperlock Bushes are made of GG25 cast iron. The Weld on Hubs are produced in steel, drilled, tapped and taper bored to receive standard Taper Bushes. The extended flange provides a convenient means of welding hubs into fan rotors, steel pulleys, plate sprockets, impellers, agitators and many other devices, which must be firmly fastened entirely suitable for usage where severe operating conditions are met. Tightening the screws contracts the bore of the bush, thereby locking it to the shaft with the equivalent of a press fit. This type of construction eliminates mounting difficulties, it also prevents loosening and wearing happened to the hub during operation.



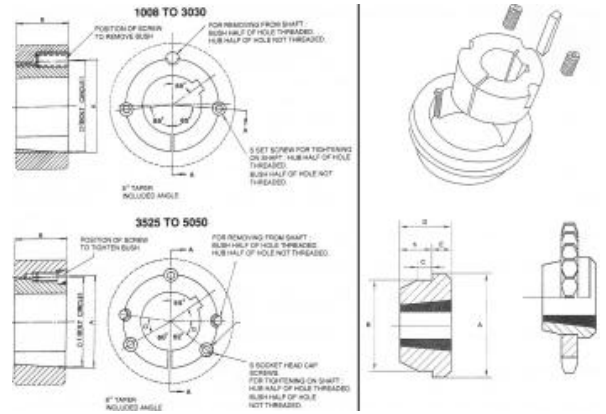
Part No.	Bush/Hub No.	Bore Ø	A	B	C	D	E	Set Screws	G
		mm	mm	mm	mm	mm	mm		Degrees
0104030048	4030	48	-	-	-	-	-	-	-
0104030048	4030	48	-	-	-	-	-	-	-
0104030050	4030	50	-	-	-	-	-	-	-
0104030055	4030	55	-	-	-	-	-	-	-
0104030060	4030	60	-	-	-	-	-	-	-
0104030065	4030	65	-	-	-	-	-	-	-
0104030070	4030	70	-	-	-	-	-	-	-
0104030075	4030	75	-	-	-	-	-	-	-
0104030080	4030	80	-	-	-	-	-	-	-
0104030085	4030	85	-	-	-	-	-	-	-
0104030090	4030	90	-	-	-	-	-	-	-
0104030095									
0104030100									
0104040040	4040	40	5 3/4"	4"	-	5.54"	-	5/8"x1 3/4"	40
0104040042	4040	42	5 3/4"	4"	-	5.54"	-	5/8"x1 3/4"	40
0104040045	4040	45	5 3/4"	4"	-	5.54"	-	5/8"x1 3/4"	40
0104040048	4040	48	5 3/4"	4"	-	5.54"	-	5/8"x1 3/4"	40
0104040050	4040	50	5 3/4"	4"	-	5.54"	-	5/8"x1 3/4"	40
0104040055	4040	55	5 3/4"	4"	-	5.54"	-	5/8"x1 3/4"	40
0104040060	4040	60	5 3/4"	4"	-	5.54"	-	5/8"x1 3/4"	40
0104040065	4040	65	5 3/4"	4"	-	5.54"	-	5/8"x1 3/4"	40
0104040070	4040	70	5 3/4"	4"	-	5.54"	-	5/8"x1 3/4"	40
0104040075	4040	75	5 3/4"	4"	-	5.54"	-	5/8"x1 3/4"	40
0104040080	4040	80	5 3/4"	4"	-	5.54"	-	5/8"x1 3/4"	40
0104040085	4040	85	5 3/4"	4"	-	5.54"	-	5/8"x1 3/4"	40
0104040090	4040	90	5 3/4"	4"	-	5.54"	-	5/8"x1 3/4"	40
0104040095	4040	95	5 3/4"	4"	-	5.54"	-	5/8"x1 3/4"	40
0104040100	4040	100	5 3/4"	4"	-	5.54"	-	5/8"x1 3/4"	40
0104041001	4040	1 3/4"	5 3/4"	4"	-	5.54"	-	5/8"x1 3/4"	40
0104041002	4040	2"	5 3/4"	4"	-	5.54"	-	5/8"x1 3/4"	40
0104041003	4040	2 1/4"	5 3/4"	4"	-	5.54"	-	5/8"x1 3/4"	40
0104041004	4040	2 1/2"	5 3/4"	4"	-	5.54"	-	5/8"x1 3/4"	40
0104041005	4040	2 3/4"	5 3/4"	4"	-	5.54"	-	5/8"x1 3/4"	40
0104041006	4040	3"	5 3/4"	4"	-	5.54"	-	5/8"x1 3/4"	40
0104041007	4040	3 1/4"	5 3/4"	4"	-	5.54"	-	5/8"x1 3/4"	40
0104041008	4040	3 1/2"	5 3/4"	4"	-	5.54"	-	5/8"x1 3/4"	40
0104041009	4040	3 3/4"	5 3/4"	4"	-	5.54"	-	5/8"x1 3/4"	40
0104041010	4040	4"	5 3/4"	4"	-	5.54"	-	5/8"x1 3/4"	40
0104041011									
0104535085	4535	85	-	-	-	-	-	-	-
0104535090	4535	90	-	-	-	-	-	-	-
0104535100	4535	100	-	-	-	-	-	-	-
0104535125	4535	125	-	-	-	-	-	-	-
0104545055	4545	55	6 3/8"	4 1/2"	-	6.13"	-	3/4"x2"	40
0104545060	4545	60	6 3/8"	4 1/2"	-	6.13"	-	3/4"x2"	40
0104545065	4545	65	6 3/8"	4 1/2"	-	6.13"	-	3/4"x2"	40

Taperlock Bushes are made of GG25 cast iron. The Weld on Hubs are produced in steel, drilled, tapped and taper bored to receive standard Taper Bushes. The extended flange provides a convenient means of welding hubs into fan rotors, steel pulleys, plate sprockets, impellers, agitators and many other devices, which must be firmly fastened entirely suitable for usage where severe operating conditions are met. Tightening the screws contracts the bore of the bush, thereby locking it to the shaft with the equivalent of a press fit. This type of construction eliminates mounting difficulties, it also prevents loosening and wearing happened to the hub during operation.



Part No.	Bush/Hub No.	Bore Ø	A	B	C	D	E	Set Screws	G
		mm							
0104545080	4545	80	6 3/8"	4 1/2"	-	6.13"	-	3/4"x2"	40
0104545080	4545	80	6 3/8"	4 1/2"	-	6.13"	-	3/4"x2"	40
0104545085	4545	85	6 3/8"	4 1/2"	-	6.13"	-	3/4"x2"	40
0104545090	4545	90	6 3/8"	4 1/2"	-	6.13"	-	3/4"x2"	40
0104545095	4545	95	6 3/8"	4 1/2"	-	6.13"	-	3/4"x2"	40
0104545100	4545	100	6 3/8"	4 1/2"	-	6.13"	-	3/4"x2"	40
0104545105	4545	105	6 3/8"	4 1/2"	-	6.13"	-	3/4"x2"	40
0104545110	4545	110	6 3/8"	4 1/2"	-	6.13"	-	3/4"x2"	40
0105050055	5050	55	7"	5"	-	6.72"	-	7/8"x2 1/4"	37
0105050070	5050	70	7"	5"	-	6.72"	-	7/8"x2 1/4"	37
0105050075	5050	75	7"	5"	-	6.72"	-	7/8"x2 1/4"	37
0105050080	5050	80	7"	5"	-	6.72"	-	7/8"x2 1/4"	37
0105050085	5050	85	7"	5"	-	6.72"	-	7/8"x2 1/4"	37
0105050090	5050	90	7"	5"	-	6.72"	-	7/8"x2 1/4"	37
0105050095	5050	95	7"	5"	-	6.72"	-	7/8"x2 1/4"	37
0105050100	5050	100	7"	5"	-	6.72"	-	7/8"x2 1/4"	37
0105050105	5050	105	7"	5"	-	6.72"	-	7/8"x2 1/4"	37
0105050110	5050	110	7"	5"	-	6.72"	-	7/8"x2 1/4"	37
0105050115	5050	115	7"	5"	-	6.72"	-	7/8"x2 1/4"	37
0105050120	5050	120	7"	5"	-	6.72"	-	7/8"x2 1/4"	37
0105050125	5050	125	7"	5"	-	6.72"	-	7/8"x2 1/4"	37

Taperlock Bushes are made of GG25 cast iron. The Weld on Hubs are produced in steel, drilled, tapped and taper bored to receive standard Taper Bushes. The extended flange provides a convenient means of welding hubs into fan rotors, steel pulleys, plate sprockets, impellers, agitators and many other devices, which must be firmly fastened entirely suitable for usage where severe operating conditions are met. Tightening the screws contracts the bore of the bush, thereby locking it to the shaft with the equivalent of a press fit. This type of construction eliminates mounting difficulties, it also prevents loosening and wearing happened to the hub during operation.



Part No.	Bush/Hub No.	A	B	C	D	E	h
		mm	mm	mm	mm	mm	mm
0101210000	WH1210	73	60	10	25	9	16
0101610000	WH1610	83	70	10	25	9	16
0101615000	WH1615	83	70	11	38	16	22
0102012000	WH2012	96	90	12	32	10	22
0102517000	WH2517	127	110	13	45	19	26
0103020000	WH3020	152	130	18	51	24	27
0103030000	WH3030	152	130	19	76	25	51
0103525000	WH3525	184	155	25	65	25	40
0103535000	WH3535	184	155	25	89	32	57
0104040000	WH4040	225	195	35	102	32	70
0104545000	WH4545	254	220	40	14	38	76
0105050000	WH5050	276	242	40	127	38	89